



Section 4

Kerb Drainage

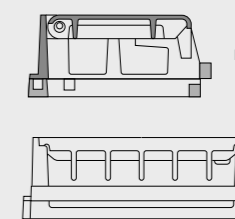
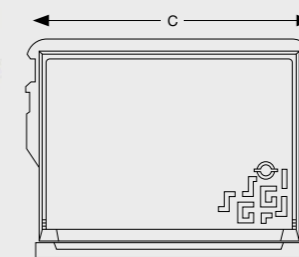
Section 4 Contents

D400

Aquakerb 51

C250

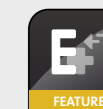
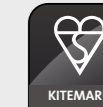
Selecta 500 Urban Profile (T) 53
 Selecta 500 Rural Profile (A) 53
 Selecta Maxi Urban Profile (T) 54
 Selecta Maxi Rural Profile (A) 54
 Waterfall 55
 Watergate Kerb 55



D400
CLASS



4
GROUP



Aquakerb

Code	SAP code	BS EN 124 loading class	Kerb profile	Over base C x D (mm)	Depth E1 (mm)	Waterway area (cm ²)	Total mass (kg)
C6100A	186040	D400	Half batter	555 x 400	150	468	45
C6101A	186042	D400	45° splay	555 x 400	150	425	44

Features

- Single unit
- Half batter/45° splay
- Locked as standard

Options

- Sub frame available
- Road retaining bar

C6100 BSFZ (186041) – sub frame to suit C6100A and C6101A. HMA74 1 (187120) – road retaining bar.





Selecta range

The result of intense collaboration with road drainage engineers, the Selecta kerb gully drainage unit in ductile iron with opening top and grating for optimum access, is the professionals' solution to the problem of draining rainwater. Available in two sizes with two kerb profiles: Selecta 'Maxi' and Selecta '500', Selecta kerb drainage units have been designed to ensure excellent drainage performance whilst maximising safety.

Screening of debris

The presence of a raised bar prevents access into the gully for debris of too large a size and keeps certain solid objects carried by run-off water out of the sewer system.

Anti-obstruction

The surfaces of the bars are equipped with facets that are oriented in such a way as to prevent leaves or litter from blocking the drain.

Drainage

In the lower section of the gutter, the bars are arranged longitudinally in order to maximise water drainage.

Simulations carried out on a test bench show increases of between 10% and 15% in absorption, in certain circumstances, compared with a traditional design consisting of a rectangular grating and a gully.

Safety for cyclists

On the carriageway, the bars are perpendicular to the direction of the traffic in order to ensure safety for cyclists.

Safety for pedestrians

On the pavement side, the elimination of clearance on the hinge system and of any roughness on the surface of the cover ensure safety for pedestrians (high heels, walking sticks, crutches, etc.)

Height adjustability

Three bolts allow the height adjustment (up to 50mm) of the cover frame with respect to the kerb.

Height adjustability is only available on the Maxi.

Operation

Full opening with two flaps provides a wide unobstructed clear opening area (550 x 450mm) which facilitates access to the sewer system. In particular, the Selecta inlet is well suited to the insertion of cleaning and inspection equipment.

Opening

Both Selecta 'Maxi' and Selecta '500' kerb gratings and covers features vandal resistant ductile iron spring-bars to prevent unauthorised entry.

Grating and covers can be opened separately using a crow bar or pick axe as illustrated or both together to obtain full uninterrupted access.

Closing

Following routine maintenance both the cover and grating can be closed. Applying a little pressure to the top of the cover or grating will ensure that the spring-bar activates and again provides an effective barrier against unauthorised access.



For products that have the E+ feature, the trademark is detailed in the 'At a glance' section of the product pages.

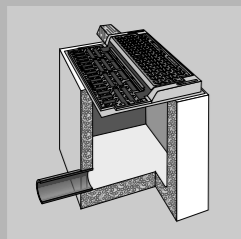
Features



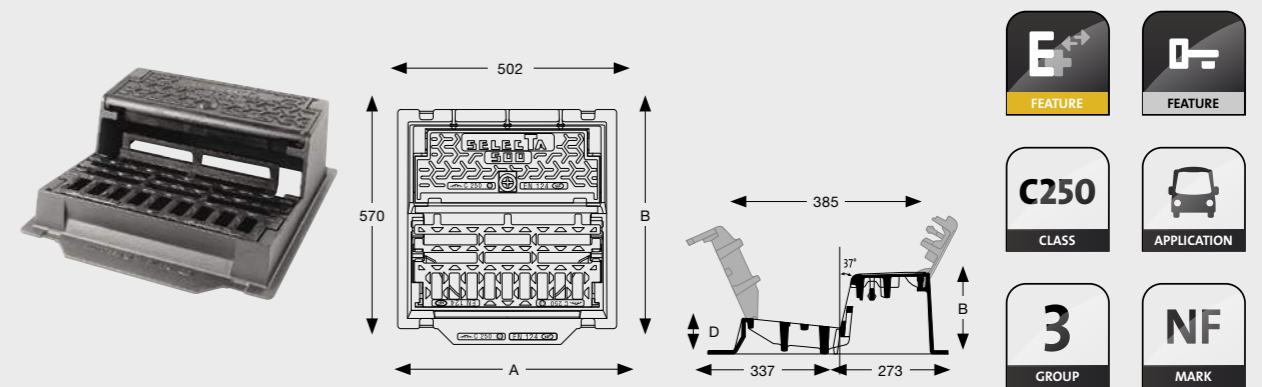
Slot orientation maximises flow capacity and road user safety.



Studding on grating prevents leaves sticking to the grate and maximises flow capacity.



In the kerbline.



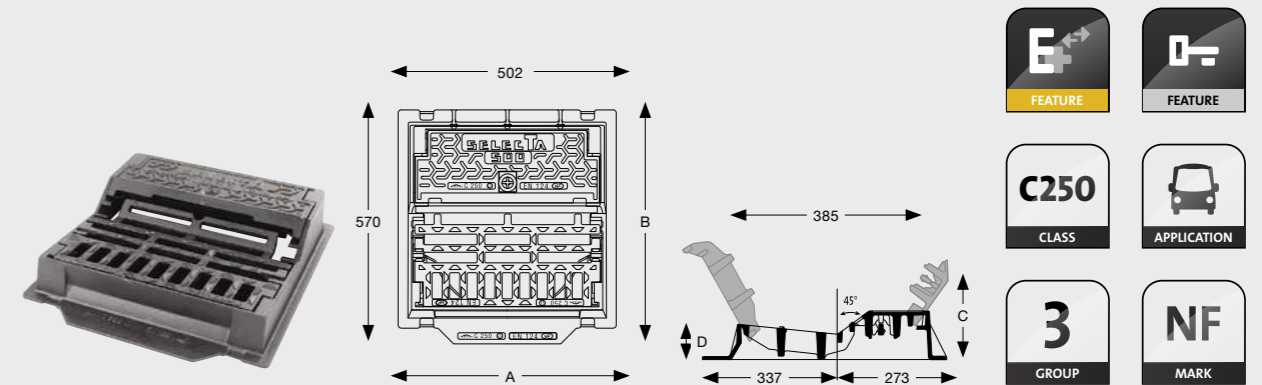
Selecta 500 Urban Profile (T)

Code	SAP code	BS EN 124 loading class	Over frame A x B (mm)	Frame depth C (mm)	Grate depth D (mm)	Kerb profile	Total mass (kg)
RH50 E2TS	ECSE61TF	C250	570 x 610	205	90	37	56.5

Features

- Hinged
- Spring-bar lock
- Single unit
- Debris bar
- For urban applications

Kerb drainage unit for use in pavement kerbs adjacent to highways in urban applications.



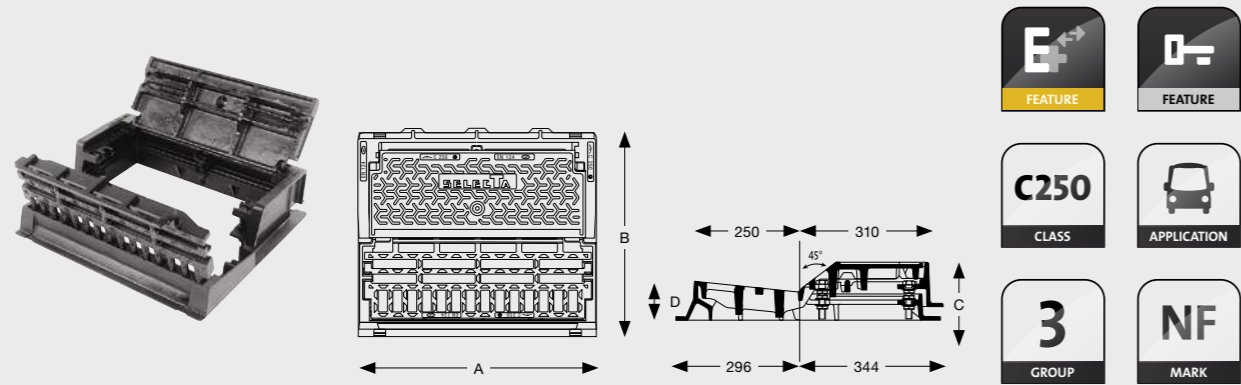
Selecta 500 Rural Profile (A)

Code	SAP code	BS EN 124 loading class	Over frame A x B (mm)	Frame depth C (mm)	Grate depth D (mm)	Kerb profile	Total mass (kg)
RH50 E2AS	ECSE61SF	C250	570 x 610	125	90	45	51

Features

- Hinged
- Spring-bar lock
- Single unit
- Debris bar
- For rural applications

Kerb drainage unit for use in pavement kerbs adjacent to highways in rural applications.



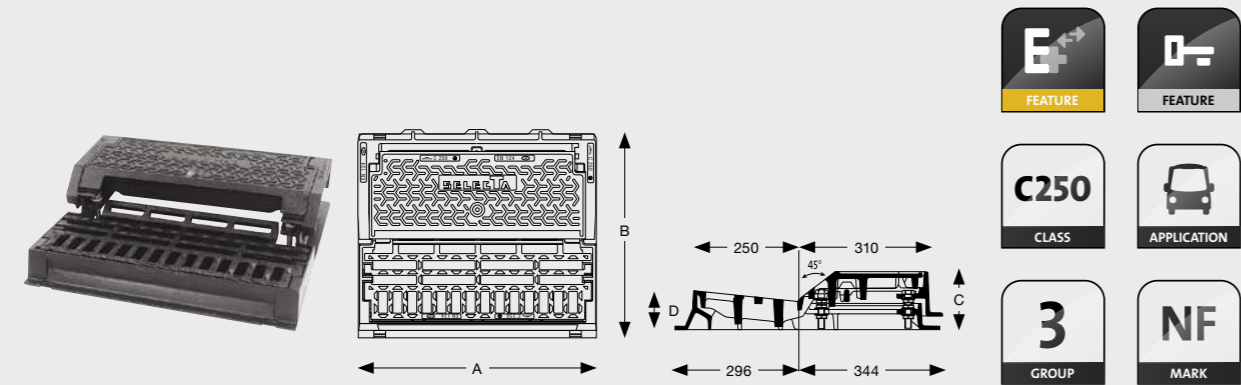
Selecta Maxi Urban Profile (T)

Code	SAP code	BS EN 124 loading class	Over frame A x B (mm)	Frame depth C (mm)	Grate depth D (mm)	Kerb profile	Total mass (kg)
RH75 E1FD	ECSE75UFX11	C250	750 x 640	175-225	90	37	94

Features

- Hinged
- Spring-bar lock
- Single unit
- Height adjustable
- Debris bar

Kerb drainage unit for use in pavement kerbs adjacent to highways in urban applications where height adjustment is desired.



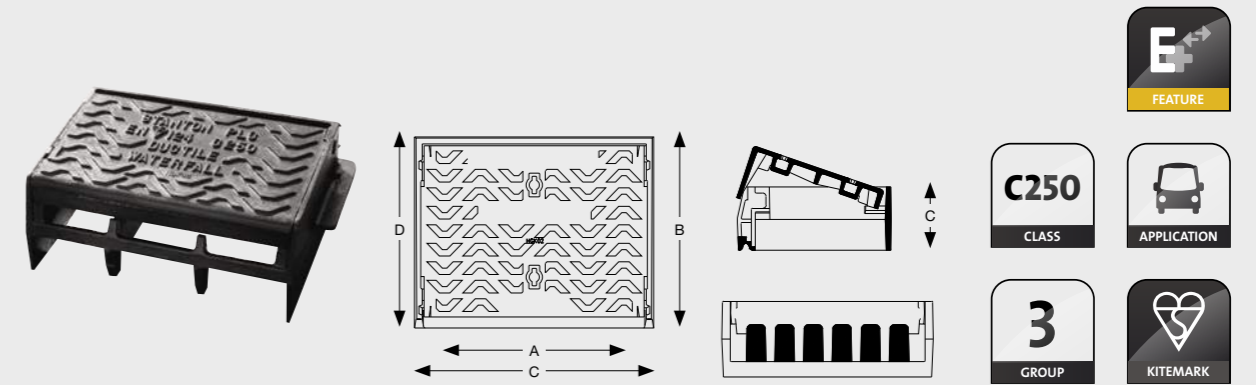
Selecta Maxi Rural Profile (A)

Code	SAP code	BS EN 124 loading class	Over frame A x B (mm)	Frame depth C (mm)	Grate depth D (mm)	Kerb profile	Total mass (kg)
RH75 E2FD	ECSE75SFX11	C250	750 x 640	135-155	90	45	92

Features

- Hinged
- Spring-bar lock
- Single unit
- Height adjustable
- Debris bar

Kerb drainage unit for use in pavement kerbs adjacent to highways in rural applications where height adjustment is desired.



Waterfall

Code	SAP code	BS EN 124 loading class	Clear opening A x B (mm)	Over base C x D (mm)	Depth E (mm)	Road retaining bar	Debris grid (cm²)	Total mass (kg)
HK03 1	187067	C250	400 x 250	550 x 360	190	Yes	No	43
HK11 1*	187068	Heavy Duty	532 x 405	562 x 465	205	Extra	Yes	63
HK02 1*	187066	Heavy Duty	532 x 405	562 x 465	205	Extra	No	63

Features

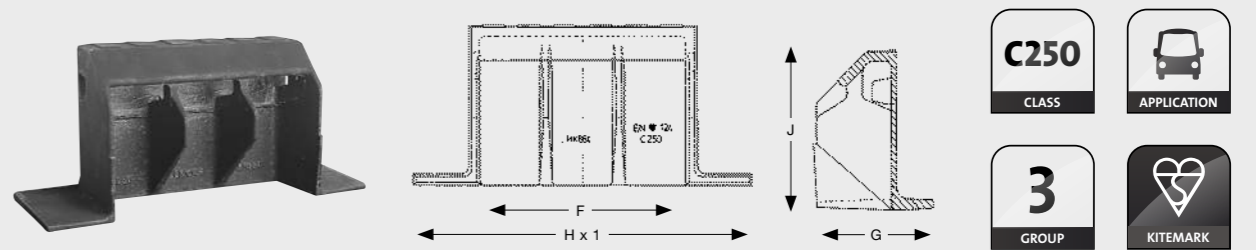
- Hinged
- Half batter
- Single unit

Options

- Road retaining bar

Kerb drainage unit for use in pavement kerbs adjacent to highways.

*Not kitemarked. HMA74 1 (187120) – road retaining bar.



Watergate Kerb

Code	SAP code	BS EN 124 loading class	Clear opening F x G (mm)	Base size H x I (mm)	Depth J (mm)	Batter	Total mass (kg)
HK872 1	187070	C250	340 x 122	540 x 190	245	12.5	25
HK884 1	187071	C250	340 x 122	540 x 190	245	45	20

Features

- Half batter/45° splay

Kerb hood which, used with Watergate gratings, gives a traditional combination of road grating and kerb drainage unit.